

Wastewater

8E Series



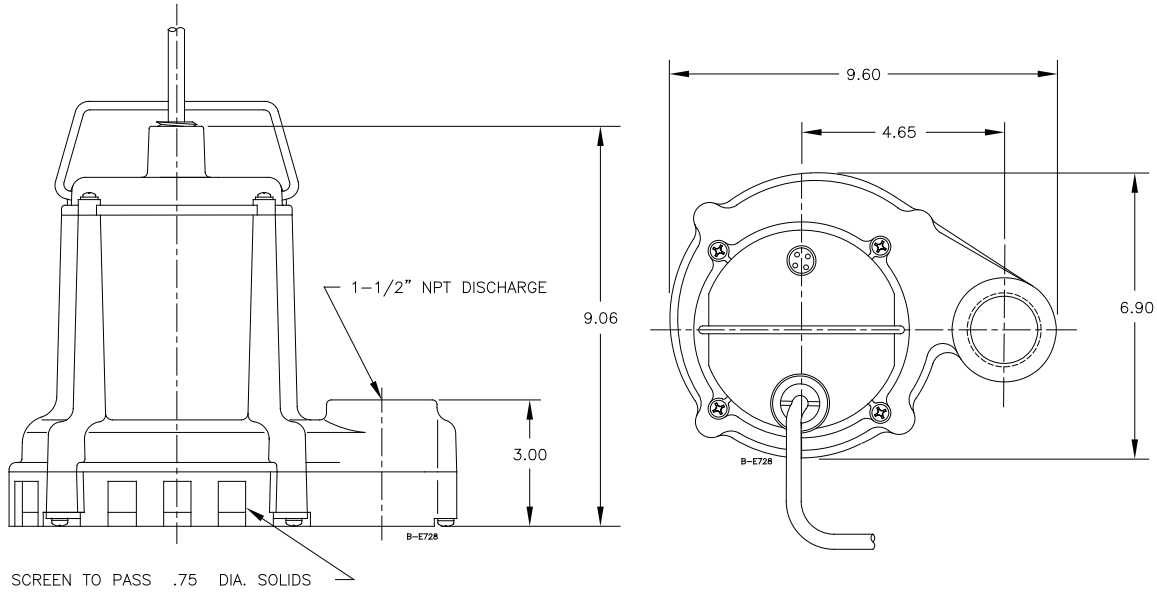
Applications

Dewatering, water transfer, effluent and wastewater removal.

Features

- Handles liquids and solid waste materials up to 3/4" diameter.
- Cast iron pump housing and cover with protective epoxy coating for corrosion resistance.
- Oil-filled motor housing for lifetime lubrication and rapid heat dissipation.
- Stainless steel fasteners.
- Mechanical seals (stainless steel spring, nitrile parts, Carbon and ceramic faces).
- Bearings: Upper and lower sintered sleeve.
- Thermal overload protection.
- Manual and Automatic models.
- Automatic operation has 9" to 14" "On" level and 2" to 6" "Off" level range.
- All 115 volt models are UL/CSA listed.

Dimensional Outline



Specifications

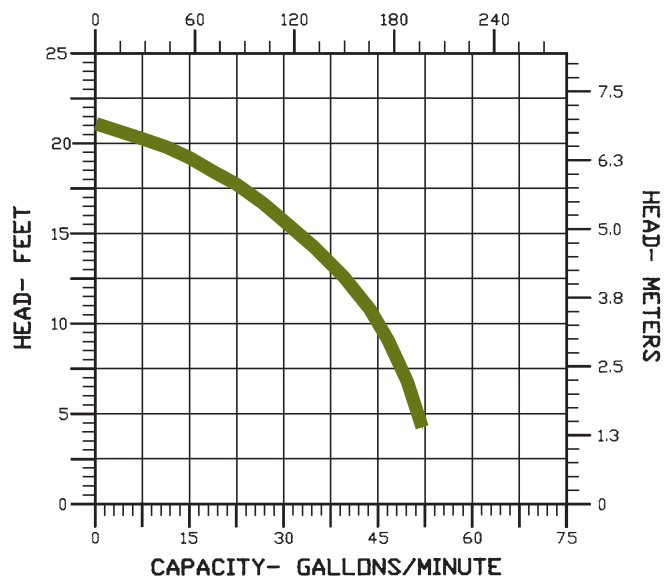
| Model No. | Item No. | Listing | HP | Volts | Solids Size (dia. in.) | Running Amps/Watts | Performance (GPM@Head) | | | | Shutoff | | Cord Length (ft.) | Weight (lbs.) | Dimensions H x L x W (in.) |
|---------------|---------------|---------------|------------|------------|------------------------|--------------------|------------------------|-----------|-----------|----------|-----------|------------|-------------------|---------------|----------------------------|
| | | | | | | | 5' | 10' | 15' | 20' | Ft. | P.S.I. | | | |
| 8E-CIM | 509000 | UL/CSA | 1/3 | 115 | 3/4 | 11/900 | 52 | 45 | 33 | — | 21 | 9.1 | 10 | 24 | 8.25 x 9.6 x 6.9 |
| 8E-CIA-RFS | 509100 | UL/CSA | 1/3 | 115 | 3/4 | 11/900 | 52 | 45 | 33 | — | 21 | 9.1 | 10 | 25 | 8.25 x 9.6 x 6.9 |
| 8E-CIM | 509050 | — | 1/3 | 230 | 3/4 | 6/900 | 52 | 45 | 33 | — | 21 | 9.1 | 12 | 23 | 8.25 x 9.6 x 6.9 |
| 8E-CIM | 509005 | UL/CSA | 1/3 | 115 | 3/4 | 11/900 | 52 | 45 | 33 | — | 21 | 9.1 | 15 | 24 | 8.25 x 9.6 x 6.9 |
| 8E-CIA-RFS | 509105 | UL/CSA | 1/3 | 115 | 3/4 | 11/900 | 52 | 45 | 33 | — | 21 | 9.1 | 15 | 26 | 8.25 x 9.6 x 6.9 |
| 8E-CIA-RFS | 509120 | UL/CSA | 1/3 | 115 | 3/4 | 11/900 | 52 | 45 | 33 | — | 21 | 9.1 | 20 | 26 | 8.25 x 9.6 x 6.9 |
| 8E-CIM | 509125 | UL/CSA | 1/3 | 115 | 3/4 | 11/900 | 52 | 45 | 33 | — | 21 | 9.1 | 25 | 25 | 8.25 x 9.6 x 6.9 |

All models are 60 Hz.

Performance Chart

| | |
|-----------------------|--|
| Motor Housing | Epoxy-coated cast iron |
| Impeller Material | Nylon |
| Impeller Type | Vortex |
| Volute | Epoxy-coated cast iron |
| Power Cord | SJTW-A |
| Mechanical Shaft Seal | Nitrile with carbon & ceramic faces |
| Fasteners | Stainless Steel |
| Shaft | Cold rolled steel |
| Bearings | Upper and lower sintered sleeve bearings |

Performance Data



P.O. Box 12010
Oklahoma City, OK 73157-2010
Phone: 1.800.701.7894
Fax: 1.800.678.7867
www.LittleGiantPump.com



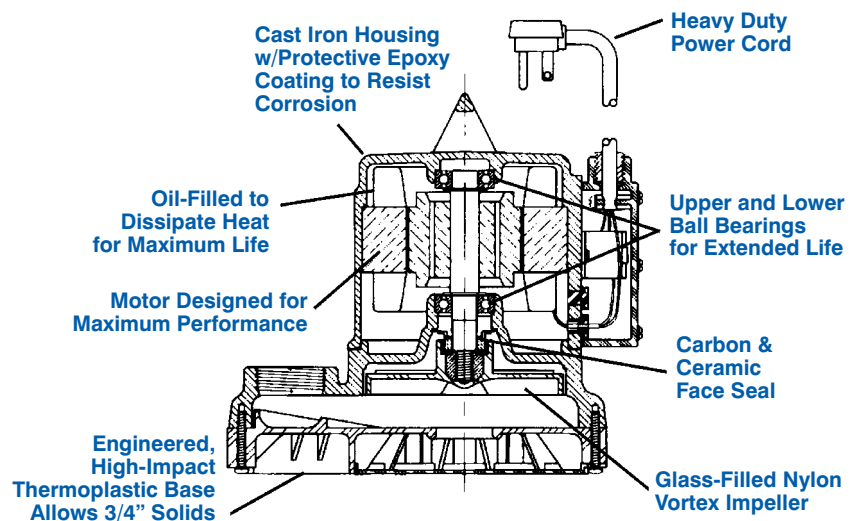
Little GIANT®

10E SERIES



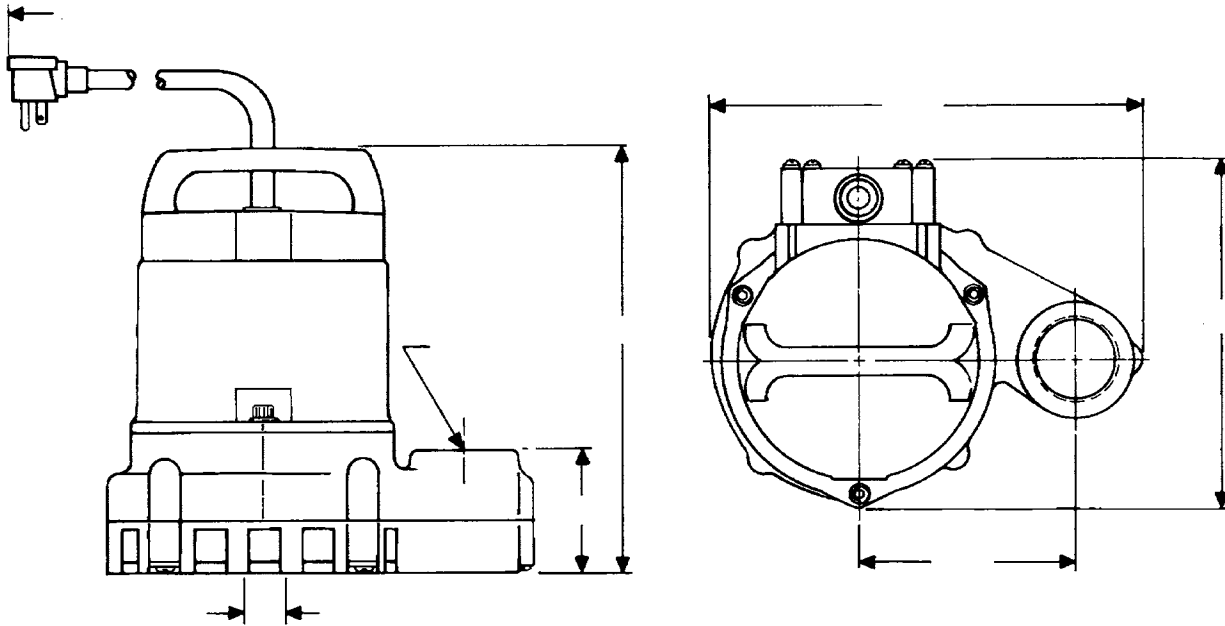
Features

- Handles liquids and solid waste materials up to 3/4" diameter
- Cast iron pump housing with protective epoxy coating for corrosion resistance
- Oil-filled motor housing for lifetime lubrication and rapid heat dissipation
- Stainless steel fasteners
- Mechanical seals (stainless steel spring, nitrile parts, Carbon and ceramic faces)
- Bearings: Upper and lower ball bearings
- Thermal overload protection
- Manual and Automatic models
- Automatic operation has 9" to 14" "On" level and 2" to 6" "Off" level range with piggyback remote float switch
- All 115 volt models are UL/CSA listed



The Model 10E Series De-watering and Effluent pumps are for commercial and light industrial applications. Pumps feature a 1-1/2" discharge, with a lift of 26', ABS base, vortex nylon impeller and glass-filled electrical case.

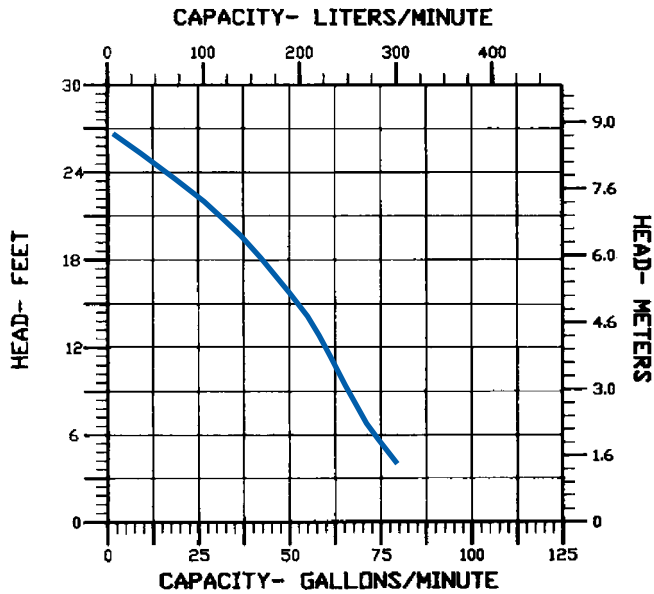
10E SERIES



Specifications

| Model No. | Item No. | Listing | HP | Volts | Solids Size (dia. in.) | Running Amps/Watts | Performance (GPM@Head) | | | | Shutoff | | Cord Length (ft.) | Weight (lbs.) | Dimensions H x L x W (in.) |
|----------------|---------------|---------------|------------|------------|------------------------|--------------------|------------------------|-----------|-----------|-----------|-----------|-------------|-------------------|---------------|----------------------------|
| | | | | | | | 5' | 10' | 15' | 20' | Fl. | P.S.I. | | | |
| 10E-CIM | 511200 | UL/CSA | 1/2 | 115 | 3/4" | 10.5/900 | 80 | 67 | 52 | 33 | 26 | 11.2 | 15 | 35 | 10.25 x 9.6 x 8.25 |
| 10E-CIA-RFS | 511300 | UL/CSA | 1/2 | 115 | 3/4" | 10.5/900 | 80 | 67 | 52 | 33 | 26 | 11.2 | 15 | 37 | 10.25 x 9.6 x 8.25 |
| 10E-CIM | 511275 | UL/CSA | 1/2 | 208-230 | 3/4" | 6.6A/900 | 80 | 67 | 52 | 33 | 26 | 11.2 | 15 | 36 | 10.25 x 9.6 x 8.25 |
| 10E-CIM | 511225 | UL/CSA | 1/2 | 115 | 3/4" | 10.5/900 | 80 | 67 | 52 | 33 | 26 | 11.2 | 25 | 36 | 10.25 x 9.6 x 8.25 |

All Models are 60 Hz
 (NOTE: Use 6.5 amps for 511275 for 50 Hz rating)
 RFS = Mechanical Float Switch



Construction

| | |
|-----------------------|---------------------------------------|
| Motor Housing | Epoxy coated cast iron |
| Impeller Material | Nylon |
| Impeller Type | Volute |
| Volute | Epoxy coated cast iron |
| Power Cord | SJTW-A |
| Mechanical Shaft Seal | Nitrile with carbon and ceramic faces |
| Fasteners | Stainless steel |
| Shaft | Steel |
| Bearings | Upper and lower ball bearings |