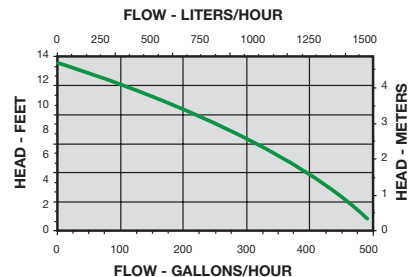
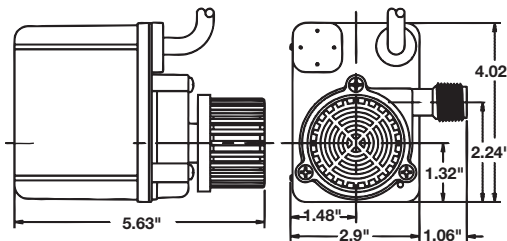




475 GPH Pond Pump

Item No. 566612 Model PE-2.5F-PW

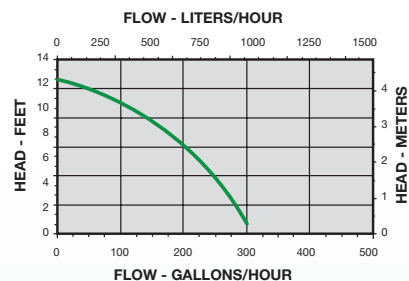
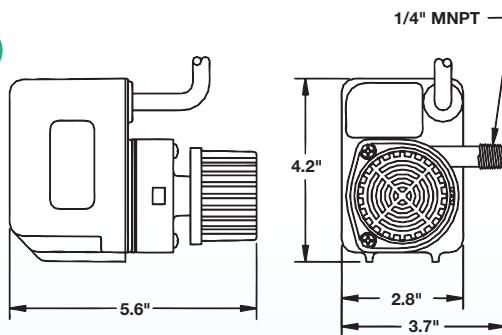
| Shut Off | Watts/Amps | Weight | Discharge | Cord (ft) |
|----------|------------|--------|-----------|-----------|
| 13.0 | 80/1.4 | 5.33 | 1/2" MNPT | 15 |



300 GPH Pond Pump

Item No. 566611 Model PE-2F-PW

| Shut Off | Watts/Amps | Weight | Discharge | Cord (ft) |
|----------|------------|--------|-----------|-----------|
| 12.0 | 47/1.8 | 4.83 | 1/4" MNPT | 15 |



170 GPH Pond Pump

Item No. 566608 Model PE-1F-PW

| Shut Off | Watts/Amps | Weight | Discharge | Cord (ft) |
|----------|------------|--------|-----------|-----------|
| 7.0 | 36/1.6 | 3.67 | 1/4" MNPT | 15 |

