
K 1 0 0 0



Features

- 1,250 GPH @ 1'
- 11' shut-off head
- 3/4" solids handling ability
- 240 Watts
- 1-1/4" FNPT horizontal discharge
- Includes 1-1/2" FNPT x 1-1/4" MNPT elbow
- Light Weight — Only 8 lbs.

Construction

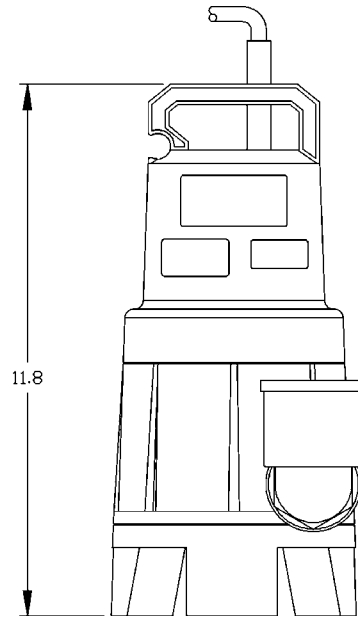
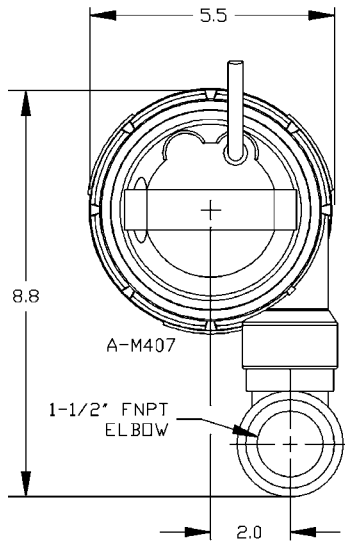
- Motor Housing Material — Polypropylene
- Impeller Material — Nylon
- Impeller Type — Vortex
- 16' Power Cord — SJTW Type
- Shaft Seal — Nitrile
- Hardware — SSTL
- Shaft Material — Ceramic coating 316 SSTL
- Motor Cylinder — 304 SSTL



From the company with the most complete line of pumps in the water gardening industry, Little Giant® is pleased to announce its latest addition of pumps designed specifically for water garden applications.

The new WaterMark™ line of “K Series” pumps features a submersible-only design with the ability to handle solids. Built to handle the needs and tough demands of the professional contractor, the pump has a very efficient oil-less motor protected by a 304 stainless steel cylinder, then housed in a light weight but durable plastic body. The K Series pumps are sure to please the avid water gardening professional and enthusiast.

K 1 0 0 0



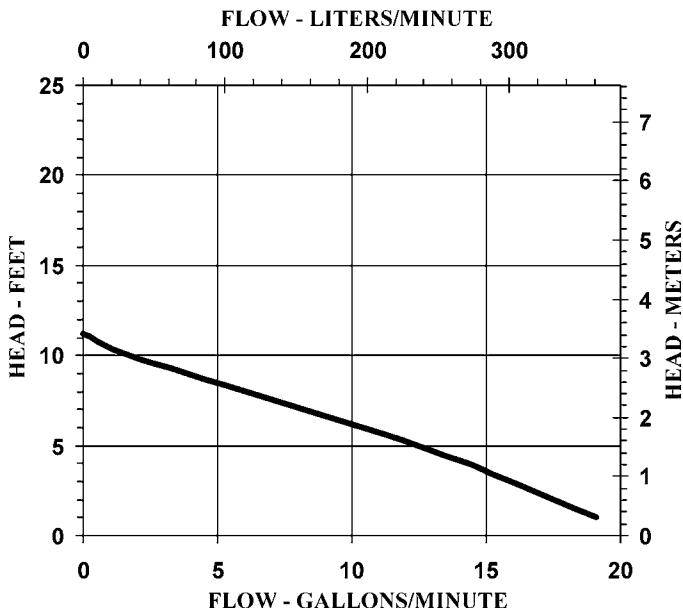
Specifications

Item No.	Discharge Size	Solids Handling	Listing(s)	HP	Volts/Hz	Amps	Watts	Performance - Gallons Per Hour @ Head in Feet			Shut-off (ft)	Pwr. Cord (ft)	Height (in)	Length (in)	Width (in)	Weight (lbs)
								1	5	10						
14940123	1-1/4" FNPT*	3/4"	cCSAus	1/10	115/60	2.2	240	1250	750	100	11	16	11.8	5.5	8.8	8
								Performance - Liters Per Hour @ Head in Meters								
								0.3	1.5	3						
								4731	2839	378	3.4	4.9	30	14	22.4	3.6

Flow rating is with elbow installed.

*1-1/2" FNPT x 1-1/4" MNPT elbow included.

Flow Curve



Flows

Head (ft.)	Flow (GPM)	Head (m)	Flow (LPM)
1	20.8	0.3	78.7
5	12.5	1.5	47.3
10	1.7	3.0	6.4

WATER MARK™
by Little Giant®

Engineered for Lasting Impressions

PO Box 12010 • Oklahoma City, OK 73157-2010
Phone: 888.271.1368 • Fax: 888.269.8458

K2000



Features

- 1,950 GPH @ 1'
- 13' shut-off head
- 3/4" solids handling ability
- 350 Watts
- 1-1/4" FNPT horizontal discharge
- Includes 1-1/2" FNPT x 1-1/4" MNPT elbow
- Light Weight — Only 8 lbs.

Construction

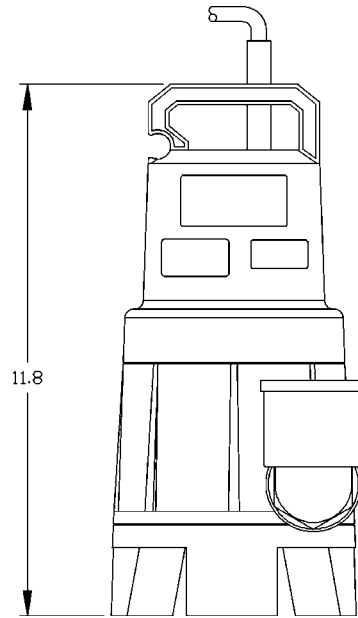
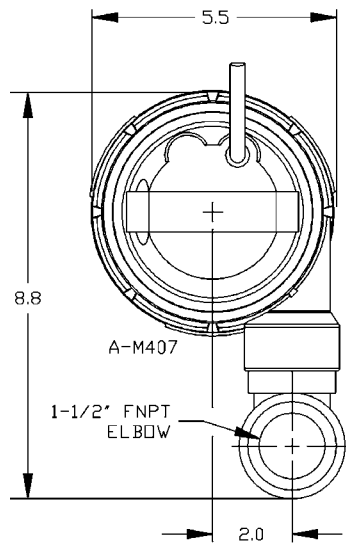
- Motor Housing Material — Polypropylene
- Impeller Material — Nylon
- Impeller Type — Vortex
- 16' Power Cord — SJTW Type
- Shaft Seal — Nitrile
- Hardware — SSTL
- Shaft Material — Ceramic coating 316 SSTL
- Motor Cylinder — 304 SSTL



From the company with the most complete line of pumps in the water gardening industry, Little Giant® is pleased to announce its latest addition of pumps designed specifically for water garden applications.

The new WaterMark™ line of “K Series” pumps features a submersible-only design with the ability to handle solids. Built to handle the needs and tough demands of the professional contractor, the pump has a very efficient oil-less motor protected by a 304 stainless steel cylinder, then housed in a light weight but durable plastic body. The K Series pumps are sure to please the avid water gardening professional and enthusiast.

K2000



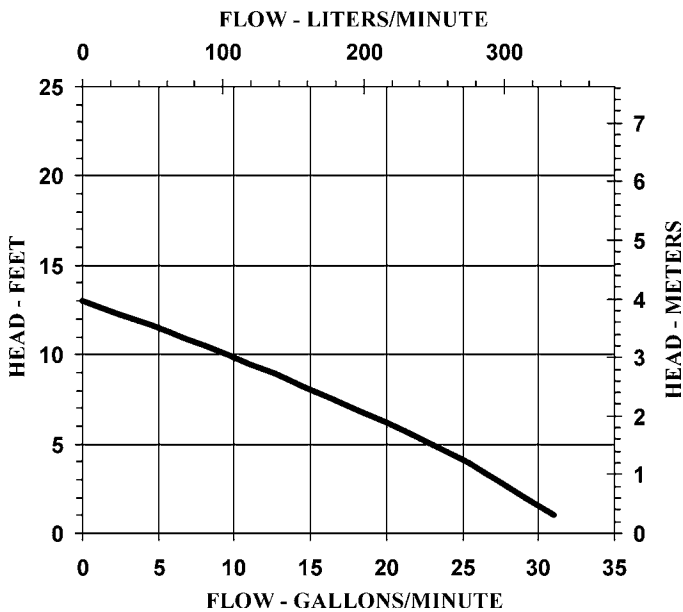
Specifications

Item No.	Discharge Size	Solids Handling	Listing(s)	HP	Volts/ Hz	Amps	Watts	Performance - Gallons Per Hour @ Head in Feet			Shut-off (ft)	Pwr. Cord (ft)	Height (in)	Length (in)	Width (in)	Weight (lbs)
								1	5	10						
14940124	1-1/4" FNPT*	3/4"	cCSAus	1/4	115/60	3.2	350	1950	1380	570	13	16	11.8	5.5	8.8	8
								Performance - Liters Per Hour @ Head in Meters			Shut-off (m)	Pwr. Cord (m)	Height (cm)	Length (cm)	Width (cm)	Weight (kg)
								7381	5223	2157						

Flow rating is with elbow installed.

*1-1/2" FNPT x 1-1/4" MNPT elbow included.

Flow Curve



Flows

Head (ft.)	Flow (GPM)	Head (m)	Flow (LPM)
1	32.5	0.3	123
5	23	1.5	87
10	9.5	3.0	36

WATER MARK™
by Little Giant®

Engineered for Lasting Impressions

PO Box 12010 • Oklahoma City, OK 73157-2010
Phone: 888.271.1368 • Fax: 888.269.8458

K3000



Features

- 2,700 GPH @ 1'
- 26' shut-off head
- 3/4" solids handling ability
- 600 Watts
- 1-1/4" FNPT horizontal discharge
- Includes 1-1/2" FNPT x 1-1/4" MNPT elbow
- Light Weight — Only 11 lbs.

Construction

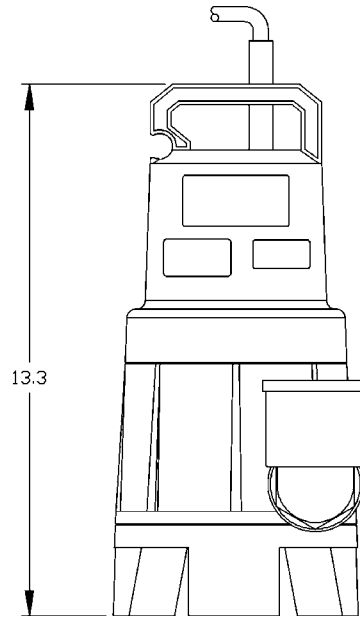
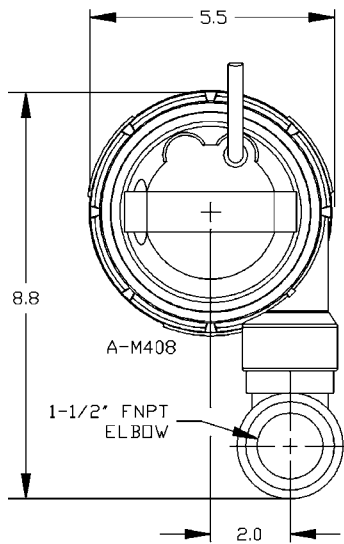
- Motor Housing Material — Polypropylene
- Impeller Material — Nylon
- Impeller Type — Vortex
- 16' Power Cord — SJTW Type
- Shaft Seal — Nitrile
- Hardware — SSTL
- Shaft Material — Ceramic coating 316 SSTL
- Motor Cylinder — 304 SSTL



From the company with the most complete line of pumps in the water gardening industry, Little Giant® is pleased to announce its latest addition of pumps designed specifically for water garden applications.

The new WaterMark™ line of “K Series” pumps features a submersible-only design with the ability to handle solids. Built to handle the needs and tough demands of the professional contractor, the pump has a very efficient oil-less motor protected by a 304 stainless steel cylinder, then housed in a light weight but durable plastic body. The K Series pumps are sure to please the avid water gardening professional and enthusiast.

K3000



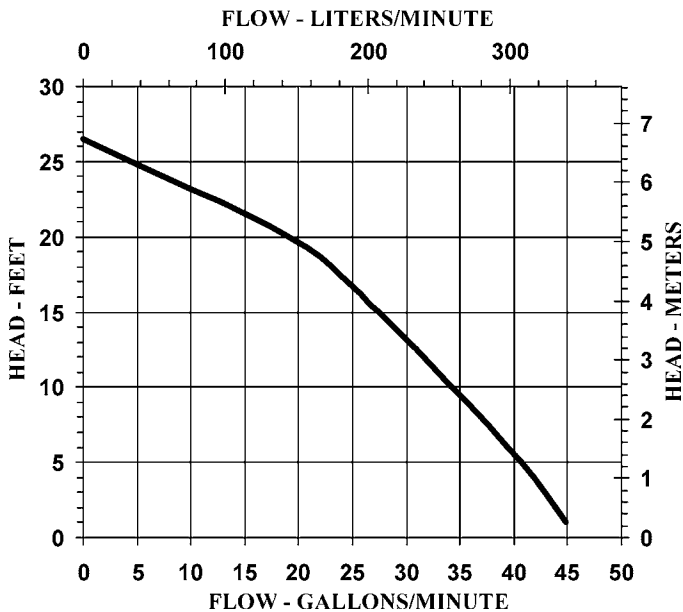
Specifications

Item No.	Discharge Size	Solids Handling	Listing(s)	HP	Volts/Hz	Amps	Watts	Performance - Gallons Per Hour @ Head in Feet					Shut-off (ft)	Pwr. Cord (ft)	Height (in)	Length (in)	Width (in)	Weight (lbs)
								1	5	10	15	20						
14940125	1-1/4" FNPT*	3/4"	cCSAus	1/2	115/60	5.5	600	2700	2440	2050	1650	1150	26	16	13.3	5.5	8.8	11
								Performance - Liters Per Hour @ Head in Meters										
								10220	9236	7760	6245	4353	7.9	4.9	33.8	14	22.4	4.9

Flow rating is with elbow installed.

*1-1/2" FNPT x 1-1/4" MNPT elbow included.

Flow Curve



Flows

Head (ft.)	Flow (GPM)	Head (m)	Flow (LPM)
1	45	0.3	170
5	40.7	1.5	154
10	34.2	3.0	129
15	27.5	4.6	104
20	19.2	6.1	73

WATER MARK™
by Little Giant®

Engineered for Lasting Impressions

PO Box 12010 • Oklahoma City, OK 73157-2010
Phone: 888.271.1368 • Fax: 888.269.8458

K4000



Features

- 3,900 GPH @ 1'
- 27' shut-off head
- 3/4" solids handling ability
- 680 Watts
- 1-1/4" FNPT horizontal discharge
- Includes 1-1/2" FNPT x 1-1/4" MNPT elbow
- Light Weight — Only 11 lbs.

Construction

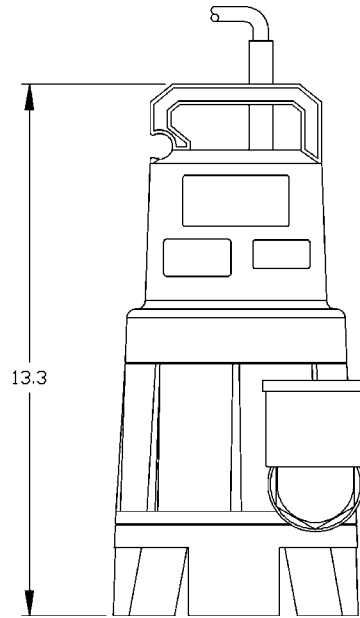
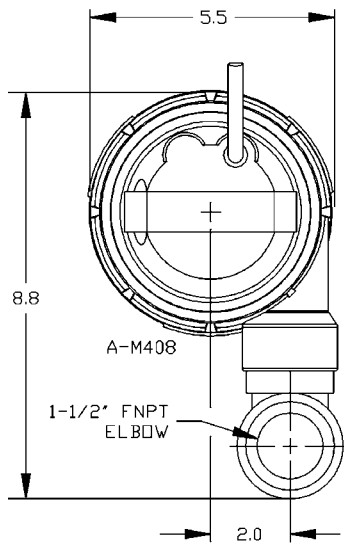
- Motor Housing Material — Polypropylene
- Impeller Material — Noryl
- Impeller Type — Vortex
- 16' Power Cord — SJTW Type
- Shaft Seal — Nitrile
- Hardware — SSTL
- Shaft Material — Ceramic coating 316 SSTL
- Motor Cylinder — 304 SSTL



From the company with the most complete line of pumps in the water gardening industry, Little Giant® is pleased to announce its latest addition of pumps designed specifically for water garden applications.

The new WaterMark™ line of “K Series” pumps features a submersible-only design with the ability to handle solids. Built to handle the needs and tough demands of the professional contractor, the pump has a very efficient oil-less motor protected by a 304 stainless steel cylinder, then housed in a light weight but durable plastic body. The K Series pumps are sure to please the avid water gardening professional and enthusiast.

K4000



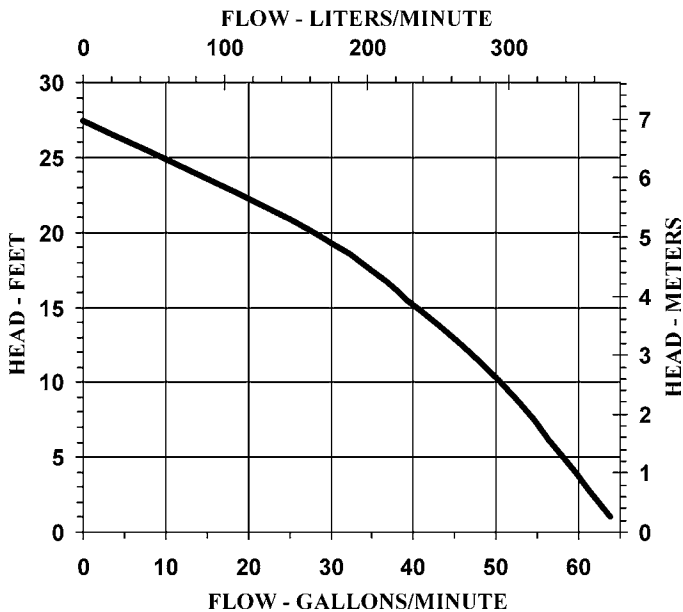
Specifications

Item No.	Discharge Size	Solids Handling	Listing(s)	HP	Volts/Hz	Amps	Watts	Performance - Gallons Per Hour @ Head in Feet					Shut-off (ft)	Pwr. Cord (ft)	Height (in)	Length (in)	Width (in)	Weight (lbs)
								1	5	10	15	20						
14940126	1-1/4" FNPT*	3/4"	cCSAus	1/2	115/60	6.2	680	3900	3480	3025	2430	1680	27	16	13.3	5.5	8.8	11
								Performance - Liters Per Hour @ Head in Meters										
								14763	13173	11450	9198	6359	8.2	4.9	33.8	14	22.4	4.9

Flow rating is with elbow installed.

*1-1/2" FNPT x 1-1/4" MNPT elbow included.

Flow Curve



Flows

Head (ft.)	Flow (GPM)	Head (m)	Flow (LPM)
1	65	0.3	246
5	58	1.5	220
10	50.4	3.0	191
15	40.5	4.6	153
20	28	6.1	106

WATERMARK™
by Little Giant®

Engineered for Lasting Impressions

PO Box 12010 • Oklahoma City, OK 73157-2010
Phone: 888.271.1368 • Fax: 888.269.8458

K5000



Features

- 5,250 GPH @ 1'
- 32' shut-off head
- 1-1/4" solids handling ability
- 1000 Watts
- 1-1/2" FNPT horizontal discharge
- Includes 1-1/2" FNPT x 1-1/2" MNPT elbow
- Light Weight — Only 17 lbs.

Construction

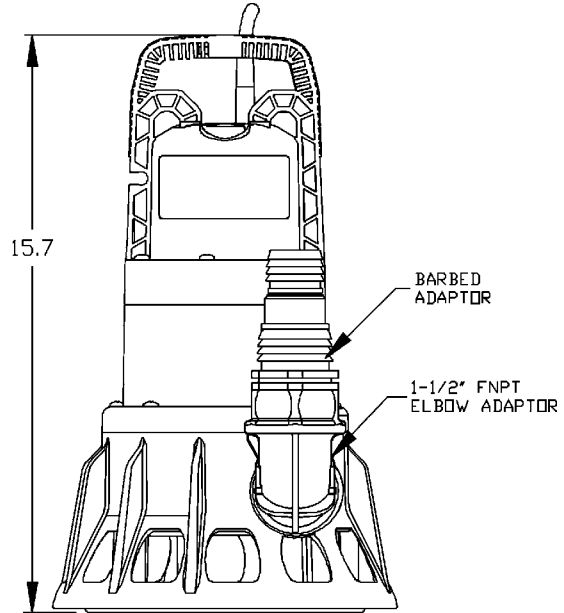
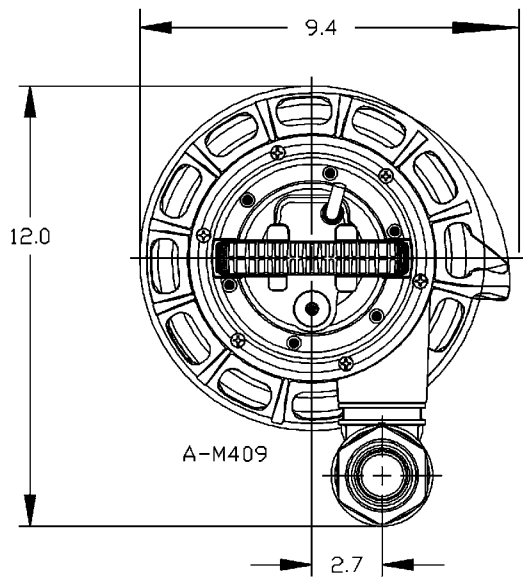
- Motor Housing Material — Polypropylene
- Impeller Material — Nylon
- Impeller Type — Vortex
- 16' Power Cord — SJTW Type
- Shaft Seal — Nitrile
- Hardware — SSTL
- Shaft Material — Ceramic coating 316 SSTL
- Motor Cylinder — 304 SSTL



From the company with the most complete line of pumps in the water gardening industry, Little Giant® is pleased to announce its latest addition of pumps designed specifically for water garden applications.

The new WaterMark™ line of “K Series” pumps features a submersible-only design with the ability to handle solids. Built to handle the needs and tough demands of the professional contractor, the pump has a very efficient oil-less motor protected by a 304 stainless steel cylinder, then housed in a light weight but durable plastic body. The K Series pumps are sure to please the avid water gardening professional and enthusiast.

K5000



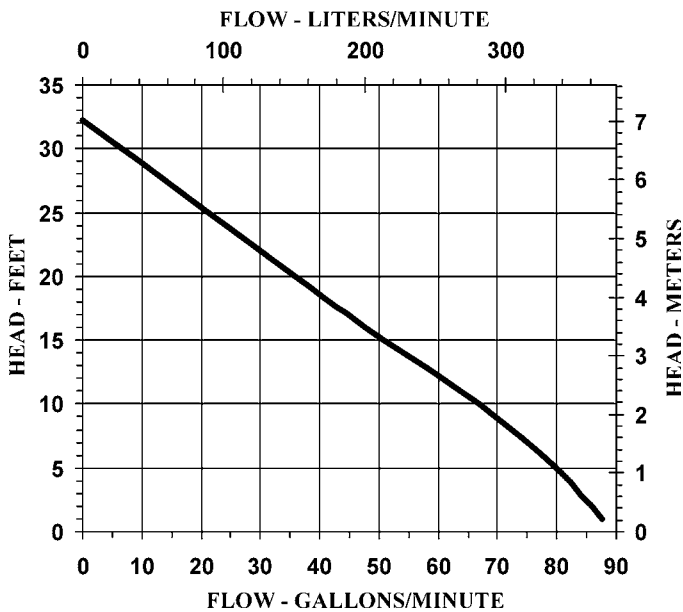
Specifications

Item No.	Discharge Size	Solids Handling	Listing(s)	HP	Volts/Hz	Amps	Watts	Performance - Gallons Per Hour @ Head in Feet					Shut-off (ft)	Pwr. Cord (ft)	Height (in)	Length (in)	Width (in)	Weight (lbs)						
								1	5	10	15	20												
14940127	1-1/2" FNPT*	1-1/4"	cCSAus	1	115/60	10	1000	5250	4800	4000	3050	2150	32	16	15.7	9.4	12	17						
								Performance - Liters Per Hour @ Head in Meters											Shut-off (m)	Pwr. Cord (m)	Height (cm)	Length (cm)	Width (cm)	Weight (kg)
								0.3	1.5	3	4.6	6.1												

Flow rating is with elbow installed.

*1-1/2" FNPT x 1-1/2" MNPT elbow included.

Flow Curve



Flows

Head (ft.)	Flow (GPM)	Head (m)	Flow (LPM)
1	87.5	0.3	331
5	80	1.5	303
10	66.7	3.0	252
15	50.8	4.6	192
20	35.8	6.1	136

WATERMARK™
by Little Giant®

Engineered for Lasting Impressions

PO Box 12010 • Oklahoma City, OK 73157-2010
Phone: 888.271.1368 • Fax: 888.269.8458